

Article

Corollospora mediterranea: A Novel Species Complex in the Mediterranean Sea

Anna Poli , Elena Bovio, Iolanda Perugini, Giovanna Cristina Varese *  and Valeria Prigione 

Mycotheca Universitatis Taurinensis, Department of Life Sciences and Systems Biology, University of Torino, Viale Mattioli 25, 10125 Turin, Italy; anna.poli@unito.it (A.P.); elena.bovio@inrae.fr (E.B.); iolanda.perugini@unito.it (I.P.); valeria.prigione@unito.it (V.P.)

* Correspondence: cristina.varese@unito.com

Abstract: The genus *Corollospora*, typified by the arenicolous fungus *Corollospora maritima*, consists of twenty-five cosmopolitan species that live and reproduce exclusively in marine environments. Species of this genus are known to produce bioactive compounds and can be potentially exploited as bioremediators of oil spill contaminated beaches; hence their biotechnological importance. In this paper, nine fungal strains isolated in the Mediterranean Sea, from the seagrass *Posidonia oceanica* (L.) Delile, from driftwood and seawater contaminated by an oil spill, were investigated. The strains, previously identified as *Corollospora* sp., were examined by deep multi-loci phylogenetic and morphological analyses. Maximum-likelihood and Bayesian phylogeny based on seven genetic markers led to the introduction of a new species complex within the genus *Corollospora*: *Corollospora mediterranea* species complex (CMSC). The Mediterranean Sea, once again, proves an extraordinary reservoir of novel fungal species with a still undiscovered biotechnological potential.

Keywords: marine fungi; new taxa; phylogeny; lignicolous fungi



Citation: Poli, A.; Bovio, E.; Perugini, I.; Varese, G.C.; Prigione, V.

Corollospora mediterranea: A Novel Species Complex in the Mediterranean Sea. *Appl. Sci.* **2021**, *11*, 5452. <https://doi.org/10.3390/app11125452>

Academic Editor: Natália Martins

Received: 12 May 2021

Accepted: 11 June 2021

Published: 11 June 2021

Publisher's Note: MDPI stays neutral with regard to jurisdictional claims in published maps and institutional affiliations.



Copyright: © 2021 by the authors. Licensee MDPI, Basel, Switzerland. This article is an open access article distributed under the terms and conditions of the Creative Commons Attribution (CC BY) license (<https://creativecommons.org/licenses/by/4.0/>).

1. Introduction

The last decades have seen an increasing interest in marine fungi due to the need to broaden our knowledge on aquatic biodiversity and to exploit these organisms as a source of novel bioactive molecules. Although more than 1800 species inhabiting the oceans have been described so far, most of the fungal diversity, estimated to exceed 10,000 taxa [1], is yet to be unveiled. Several marine habitats and substrates, both biotic and abiotic, are still being explored worldwide, leading to the discovery of new marine fungal lineages. Among Sordariomycetes, one of the ascomycetous classes mostly detected in the sea, the family Halosphaeriaceae (order Microascales) usually dominates this habitat, with 65 genera and 166 species occurring on driftwood, algae, and seagrasses worldwide [2]. While most of the genera of this family are represented by one or two species, the genus *Corollospora*, typified by *Corollospora maritima* Werderm, includes 25 arenicolous species typically found in beach sand, sea-foam, shell fragments, and algal thalli [3–6]. Besides their ability to rapidly degrade cellulose [7], species affiliated with this genus are known to produce bioactive metabolites [8,9] and can be potentially exploited as bioremediators of oil spill contaminated beaches [10]. For instance, the phthalide derivative corollosporine isolated from *C. maritima* demonstrated a strong antibacterial activity against *Staphylococcus aureus*, *Bacillus subtilis*, and *Escherichia coli* [11], whereas pulchellalactam produced by *C. pulchella*, along with the antimicrobial dioxopiperazines melinacidins II–IV and gancidin W [12], showed inhibitory activity against the tyrosine phosphatase CD45 in lymphocytes [13]. Weak antibacterial activity was also observed in fractions of *C. lacera* mycelial extract [14].

In general, this genus includes morphologically diverse species whose most distinctive features are the ascospore apical primary and equatorial secondary appendages, respectively formed from the epispore and by the fragmentation of the exospore layer [15–18]. Indeed, in reference to the ascospore appendage ontogeny, a revision of the genus was done

by scanning and transmission electron microscope investigations [16]. In almost twenty years, other species of *Corollospora* were morphologically described [3,19–24]. With the upcoming molecular techniques, Campbell and collaborators [15] performed phylogenetic analysis of *Corollospora* spp. (and related taxa) based on 28S rDNA sequences and confirmed the monophyletic nature of the genus. However, the authors concluded that more genetic markers, including protein-coding genes, were necessary to resolve relationships among the species of *Corollospora* [15]. New sequence data, including 18S rDNA, ITS, and RPB1, relative to *Corollospora* spp., were then generated in the framework of the Fungal Barcoding Consortium and AFTOL project (Assembly Fungal Tree Of Life) [25,26].

Recently, nine unidentified strains belonging to the genus *Corollospora* were isolated in surveys aimed to investigate the underwater fungal diversity of the Mediterranean Sea: 4 isolates were retrieved from the seagrass *Posidonia oceanica* [27], 4 from seawater contaminated by oil spill [28], and 1 from submerged wood [29]. It is not uncommon, as it is in this case, to come across marine fungi that neither sporulate nor develop reproductive structures in axenic culture, leaving traditional morphology-based identification impossible. Consequently, the identification of these sterile mycelia must rely on molecular data [30–33].

With this study, we wish to provide an accurate phylogenetic placement of the Mediterranean strains by applying a combined multi-locus molecular phylogeny. Besides, the paper gives morphological insights into the strains that turned out to represent new species.

2. Materials and Methods

2.1. Fungal Isolates

The isolates analyzed in this study were previously retrieved from the Mediterranean Sea. In detail, 4 isolates derived from a site chronically contaminated by an oil spill in Sicily (Gela, Italy) [28] 1 from driftwood sampled in the seawater off Porto Badisco (Apulia, Italy) [29] and 4 from leaves of *P. oceanica* collected in good health condition in Tuscany (Elba island, Italy) [27] (Table 1). Originally, the strains were isolated on Corn Meal Agar medium supplemented with sea salts (CMASS; 3.5% *w/v* sea salt mix, Sigma-Aldrich, SL, USA, in ddH₂O) and are preserved at the Mycotheca Universitatis Taurinensis (MUT), Italy.

Table 1. Dataset used for phylogenetic analysis. Genbank sequences include newly generated nrITS, nrLSU, nrSSU, RPB1, RPB2, TEF-1 α , and β TUB amplicons (in bold) relative to the novel species *Corollospora mediterranea*.

Species	Strain	Source	nrITS	nrSSU	nrLSU	TEF-1 α	RPB1	RPB2	β TUB
Microascales									
Halosphaeriaceae									
<i>Corollospora angusta</i>	NBRC 32102	Sea foam	JN943383	JN941667	JN941478	–	JN992397	–	–
	NBRC 32101 ^T	Seafoam	JN943381	JN941668	JN941477	–	–	–	–
<i>C. cinnamomea</i>	NBRC 32125	Beach sand	AB361023	JN941666	JN941479	–	JN992396	–	–
	NBRC 32126	Beach sand	–	JN941665	JN941480	–	JN992395	–	–
<i>C. colossa</i>	NBRC 32103 ^T	Seafoam	–	JN941664	JN941481	–	JN992394	–	–
	NBRC 32105	Seafoam	JN943445	JN941663	JN941482	–	–	–	–
<i>C. fusca</i>	NBRC 32107 ^T	Seafoam	JN943382	JN941662	JN941483	–	JN992393	–	–
	NBRC 32108	Seafoam	JN943385	JN941661	JN941484	–	JN992392	–	–
<i>C. gracilis</i>	NBRC 32110 ^T	Seafoam	–	JN941660	JN941486	–	JN992390	–	–
	NBRC 32111	Seafoam	JN943386	JN941659	JN941487	–	JN992389	–	–
<i>C. lacera</i>	NBRC 32121	Sea foam	–	JN941658	JN941488	–	JN992388	–	–
	NBRC 32122	Seafoam	–	JN941657	JN941489	–	JN992387	–	–
<i>C. luteola</i>	NBRC 31315 ^T	Sea foam	–	JN941656	JN941490	–	–	–	–
	NBRC 31316	<i>Sargassum giganteifolium</i>	–	JN941655	JN941491	–	–	–	–
<i>C. maritima</i>	MUT 1652	Driftwood	MW543050 *	MW543046 *	MW543054 *	MW577242 *	MW577246 *	MW577250 *	MW556316 *
	MUT 1662	Submerged wood	MW543051 *	MW543047 *	MW543055 *	MW577243 *	MW577247 *	MW577251 *	MW556317 *
	MUT 3408	Submerged wood	MW543052 *	MW543048 *	MW543056 *	MW577244 *	MW577248 *	MW577252 *	MW556318 *
	MUT 3410	Submerged wood	MW543053 *	MW543049 *	MW543057 *	MW577245 *	MW577249 *	MW577253 *	MW556319 *

Table 1. Cont.

Species	Strain	Source	nrITS	nrSSU	nrLSU	TEF-1 α	RPB1	RPB2	β TUB
<i>Corollospora mediterranea</i> sp. nov.	MUT 1587	Driftwood	KF915998	MW584971 *	MW584962 *	MW703375 *	MW645216 *	MW666025 *	MW727528 *
	MUT 1938	Oil-contaminated seawater	MW582548 *	MW584966 *	MW584957 *	MW703370 *	MW645212 *	n.d.	MW727523 *
	MUT 1950 ^T	Oil-contaminated seawater	KU935664	MW584972 *	MW584963 *	MW703376 *	MW645217 *	MW666026 *	MW727529 *
	MUT 1954	Oil-contaminated seawater	KU935659	MW584973 *	MW584964 *	MW703377 *	MW645218 *	MW666027 *	MW727530 *
	MUT 1961	Oil-contaminated seawater	KU935662	MW584974 *	MW584965 *	MW703378 *	MW645219 *	MW666028 *	MW727531 *
	MUT 5040	<i>P. oceanica</i>	MW582549 *	MW584967 *	MW584958 *	MW703371 *	MW645213 *	MW666022 *	MW727524 *
	MUT 5048	<i>P. oceanica</i>	MW582550 *	MW584968 *	MW584959 *	MW703372 *	MW645214 *	MW666023 *	MW727525 *
	MUT 5049	<i>P. oceanica</i>	MW582551 *	MW584969 *	MW584960 *	MW703373 *	n.d.	n.d.	MW727526 *
	MUT 5082	<i>P. oceanica</i>	MW582552 *	MW584970 *	MW584961 *	MW703374 *	MW645215 *	MW666024 *	MW727527 *
<i>C. pseudopulchella</i>	NBRC 32113	Seafoam	–	JN941651	JN941495	–	JN992383	–	–
	NBRC 32112 ^T	Seafoam	–	JN941652	JN941494	–	JN992384	–	–
<i>C. pulchella</i>	NBRC 32123	Beach sand	JN943446	JN941650	JN941496	–	JN992382	–	–
	NBRC 32124	Beach sand	–	JN941649	JN941497	–	JN992381	–	–
<i>C. quinqueseptata</i>	NBRC 32114 ^T	Sea foam	–	JN941648	JN941498	–	JN992380	–	–
	NBRC 32115	<i>Sargassum sagamianum</i>	–	JN941647	JN941499	–	JN992379	–	–
<i>Magnisphaera stevemossago</i>	CBS 139776		–	KT278691	KT278704	–	–	KT278740	–
<i>Natantispora unipolaris</i>	NTOU3741		KM624523	KM624521	KM624522	–	–	–	–
<i>Pileomyces formosanus</i>	BBH30192		JX003862	KX686803	KX686804	–	–	–	–
<i>Remispora maritima</i>	BBH28309		–	HQ111002	HQ111012	–	–	–	–
<i>Tinhaudeus formosanus</i>	NTOU3805		KT159895	KT159897	KT159899	–	–	–	–
Microascaceae			–	–	–	–	–	–	–
<i>Cephalotrichum stemonitis</i>	AFTOL-ID 1380	n.d.	–	DQ836901	DQ836907	DQ836916	–	–	–
<i>Microascus trigonosporus</i>	AFTOL-ID 914	n.d.	DQ491513	DQ471006	DQ470958	DQ471077	DQ471150	DQ470908	–
<i>Petriella setifera</i>	CBS 437.75	Driftwood	–	DQ471020	DQ470969	–	DQ842034	DQ836883	–

* = newly generated sequences; n.d. = not determined; ^T Type Strain. AFTOL = Assembly Fungal Tree Of Life; BBH = BIOTEC Bangkok Herbarium; CBS = Centraalbureau voor Schimmelcultuur; MUT = Mycotheca Universitatis Taurinensis; NBRC = Nite Biological Resource Centre; NTOU = National Taiwan Ocean University.

2.2. Morphological Analysis

All isolates were pre-grown on Malt Extract Agar-sea water (MEASW; 20 g malt extract, 20 g glucose, 2 g peptone, 20 g agar in 1 L of seawater) for one month at 21 °C prior to inoculation in triplicate onto new MEASW Petri dishes (9 cm Ø). Petri dishes were incubated at 15 and/or 21 °C. The colony growth was monitored periodically for 28 days, while macroscopic and microscopic features were assessed at the end of the incubation period.

In an attempt to induce sporulation, sterile pieces of *Quercus ruber* cork and *Pinus pinaster* wood (species autochthonous to the Mediterranean area) were placed on 3-week old fungal colonies [34]. Petri dishes were further incubated for 4 weeks at 21 °C. Following, cork and wood specimens were transferred to 50 mL tubes containing 20 mL of sterile seawater. Samples were incubated at 21 °C for at least three months.

Morphological structures were observed, and images captured using an optical microscope (Leica DM4500B, Leica microsystems GmbH, Germany) equipped with a camera (Leica DFC320, Leica microsystems GmbH, Germany).

2.3. DNA Extraction, PCR Amplification, and Data Assembling

Approximately 100 mg of fresh mycelium were carefully scraped from MEASW plates, transferred to a 2 mL Eppendorf tube, and disrupted by the mean of an MM400 tissue lyzer (Retsch GmbH, Haan, Germany). Genomic DNA was extracted following the manufacturer's instructions of a NucleoSpin kit (Macherey Nagel GmbH, Duren, DE, USA). The quality and quantity of DNA were measured spectrophotometrically (Infinite 200 PRO NanoQuant; TECAN, Switzerland); DNA samples were stored at $-20\text{ }^{\circ}\text{C}$.

The partial sequences of seven genetic markers were amplified by PCR. Primer pairs ITS1/ITS4 [35], LR0R/LR7 [36], NS1/NS4 [35] were used to amplify the internal transcribed spacers, including the 5.8S rDNA gene (nrITS), 28S large ribosomal subunit (nrLSU) and 18S small ribosomal subunit (nrSSU). The translation elongation factor (TEF-1 α), the β -tubulin (β -TUB) and the largest and second-largest subunits of RNA polymerase II (RPB1 and RPB2) were amplified by using the following primer pairs: EF-dF/EF-2218R [37], Bt2a/Bt2b [38], RPB1Af/RPB1Cr [39] and fRPB2-5F/fPB2-7R [40]. Amplifications were run in a T100 Thermal Cycler (Bio-Rad, Hercules, CA, USA) programmed as described in Table 2. Reaction mixtures consisted of 20–40 ng DNA template, 10 \times PCR Buffer (15 mM MgCl₂, 500 mM KCl, 100 mM Tris-HCl, pH 8.3), 200 μ M each dNTP, 1 μ M each primer, 2.5 U Taq DNA Polymerase (Qiagen, Chatsworth, CA, USA), in 50 μ L final volume. For problematic cases, additional MgCl₂, BSA, and/or 2.5% DMSO facilitated the reaction.

Table 2. Genetic markers, primers, and thermocycler conditions were used in this study.

	Forward and Reverse Primers	Thermocycler Conditions	References
ITS	ITS1-ITS4	95 $^{\circ}\text{C}$: 5 min, (95 $^{\circ}\text{C}$: 40 s, 55 $^{\circ}\text{C}$: 50 s, 72 $^{\circ}\text{C}$: 50 s) \times 35 cycles; 72 $^{\circ}\text{C}$: 8 min; 4 $^{\circ}\text{C}$: ∞	[35]
LSU	LR0R-LR7	95 $^{\circ}\text{C}$: 5 min, (95 $^{\circ}\text{C}$: 1 min, 50 $^{\circ}\text{C}$: 1 min, 72 $^{\circ}\text{C}$: 2 min) \times 35 cycles; 72 $^{\circ}\text{C}$: 10 min; 4 $^{\circ}\text{C}$: ∞	[36]
SSU	NS1-NS4	95 $^{\circ}\text{C}$: 5 min, (95 $^{\circ}\text{C}$: 1 min, 50 $^{\circ}\text{C}$: 1 min, 72 $^{\circ}\text{C}$: 2 min) \times 35 cycles; 72 $^{\circ}\text{C}$: 10 min; 4 $^{\circ}\text{C}$: ∞	[35]
TEF-1 α	EF-dF/EF-2218R	95 $^{\circ}\text{C}$: 5 min, (95 $^{\circ}\text{C}$: 1 min, 50 $^{\circ}\text{C}$: 1 min; 72 $^{\circ}\text{C}$: 2 min) \times 40 cycles, 72 $^{\circ}\text{C}$: 10 min; 4 $^{\circ}\text{C}$: ∞	[37]
β TUB	Bt2a-Bt2b	94 $^{\circ}\text{C}$: 4 min, (94 $^{\circ}\text{C}$: 35 sec, 58 $^{\circ}\text{C}$: 35 s, 72 $^{\circ}\text{C}$: 50 s) \times 35 cycles; 72 $^{\circ}\text{C}$: 5 min; 4 $^{\circ}\text{C}$: ∞	[38]
RPB1	RPB1Af-RPB1Cr	96 $^{\circ}\text{C}$: 5 min, (94 $^{\circ}\text{C}$: 30 s, 52 $^{\circ}\text{C}$: 30 s, 72 $^{\circ}\text{C}$: 1 min) \times 40 cycles; 72 $^{\circ}\text{C}$: 8 min; 4 $^{\circ}\text{C}$: ∞	[39]
RPB2	fRPB2-5F/fPB2-7cR	94 $^{\circ}\text{C}$: 3 min, (94 $^{\circ}\text{C}$: 30 s; 55 $^{\circ}\text{C}$: 30 s; 72 $^{\circ}\text{C}$: 1 min) \times 40 cycles, 72 $^{\circ}\text{C}$: 10 min; 4 $^{\circ}\text{C}$: ∞	[40]

Amplicons, together with a GelPilot 1 kb plus DNA Ladder, were visualized on a 1.5% agarose gel stained with 5 mL 100 mL⁻¹ ethidium bromide; PCR products were purified and sequenced at the MacroGen Europe Laboratory (Madrid, Spain). The resulting Applied Biosystem (ABI) chromatograms were inspected, trimmed, and assembled to obtain consensus sequences using Sequencer 5.0 (GeneCodes Corporation, Ann Arbor, MI, USA, <http://www.genecodes.com> accessed on 12 May 2021). Newly generated sequences were deposited in GenBank (Table 1).

2.4. Sequence Alignment and Phylogenetic Analysis

A dataset consisting of nrSSU, nrITS, nrLSU, and RPB1 was assembled based on BLASTn results and of the most recent phylogenetic studies focused on Halosphaeriaceae and *Corollospora* [30,41]. Reference sequences were retrieved from GenBank (Table 1). Sequences were aligned using MUSCLE (default conditions for gap openings and gap extension penalties), implemented in MEGA X (Molecular Evolutionary Genetics Analysis), visually inspected, and manually trimmed to delimit and discard ambiguously aligned

regions. Since no incongruence was observed among single-loci phylogenetic trees, alignments were concatenated into a single data matrix with SequenceMatrix [42]. The best evolutionary model under the Akaike Information Criterion (AIC) was determined with jModelTest 2 [43]. Phylogenetic inference was estimated using Maximum Likelihood (ML) and Bayesian Inference (BI) criteria. The ML analysis was generated using RAxML v. 8.1.2 [44] under GTR + I + G evolutionary model and 1000 bootstrap replicates. Support values from bootstrapping runs (MLB) were mapped on the globally best tree using the “-f a” option of RAxML and “-x 12345” as a random seed to invoke the novel rapid bootstrapping algorithm. BI was performed with MrBayes 3.2.2 [45] with the same substitution model (GTR + I + G). The alignment was run for 10 million generations with two independent runs each containing four Markov Chains Monte Carlo (MCMC) and sampling every 100 iterations. The first 25% of generated trees were discarded as “burn-in”. A consensus tree was generated using the “sumt” function of MrBayes and Bayesian posterior probabilities (BPP) were calculated. Consensus trees were visualized in FigTree v. 1.4.2 (<http://tree.bio.ed.ac.uk/software/figtree> accessed on 12 May 2021). Three species of Microascaceae, namely *Doratomyces stemonitis*, *Microascus trigonosporus*, and *Petriella setifera*, were used to root the tree. Due to the topological similarity of the two resulting trees, only Bayesian analysis with MLB and BPP values was reported (Figure 1).

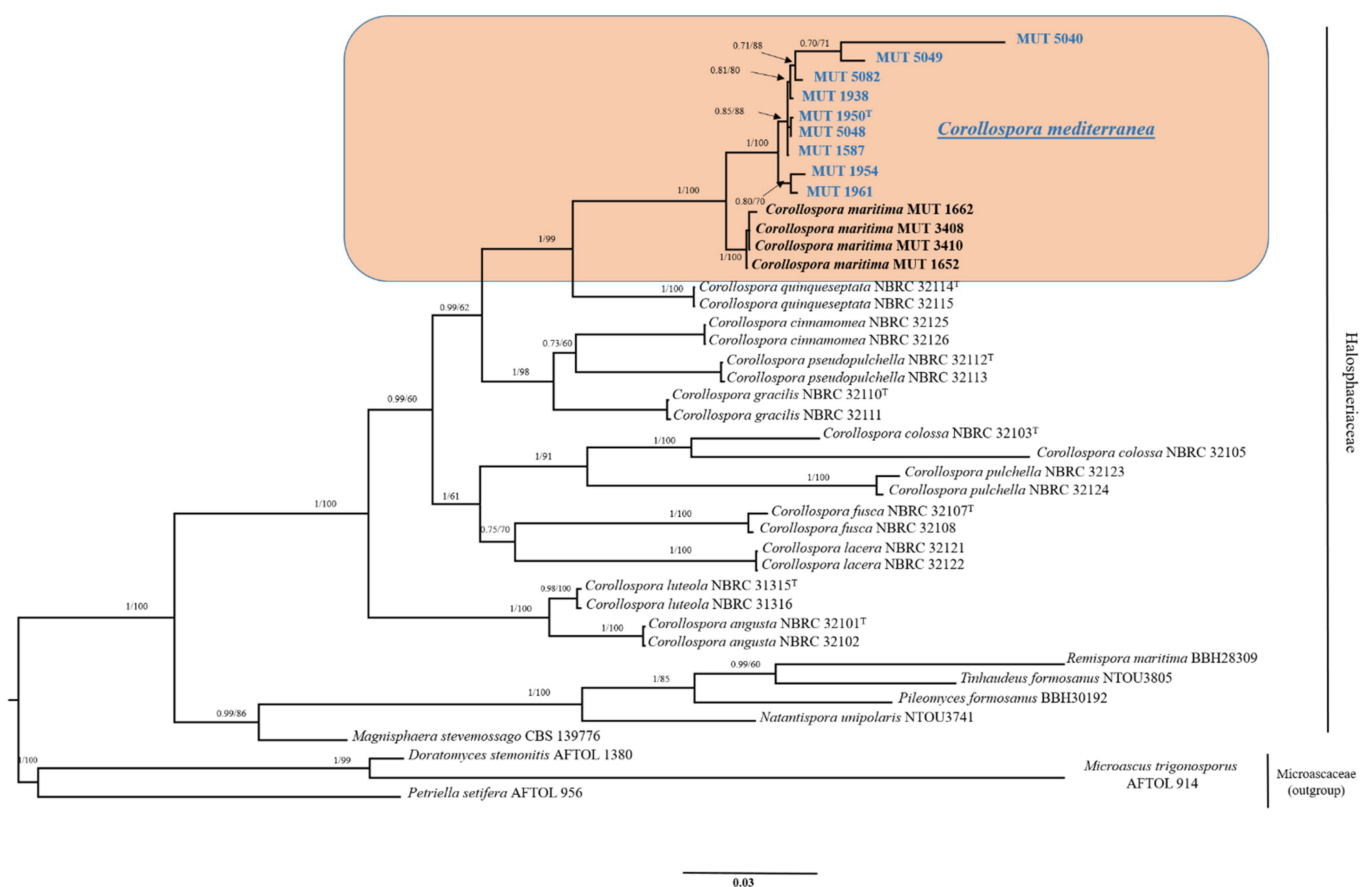


Figure 1. Phylogenetic inference based on a combined nrITS, nrSSU, nrLSU, RPB1 dataset. The tree is rooted in three species of Miroascaceae. Branch numbers indicate BYPP and BS values; ^T Type Strain; Bar = expected changes per site (0.03).

Following, a new phylogenetic analysis was conducted only on the strains investigated, whose relationship was unclear. To this aim, TEF-1 α , β -TUB, and RPB2 sequences were added to the restricted dataset. Alignments and multi-loci phylogeny were conducted as described above. Sequence alignments and phylogenetic trees were deposited in TreeBASE (<http://www.treebase.org>, submission number S27921 and S27923, accessed on 12 May 2021).

3. Results

3.1. Phylogenetic Inference

Preliminary analyses carried out individually with nrITS, nrSSU, nrLSU, and RPB1 revealed no incongruence in the topology of the single-locus trees. The combined four-markers dataset—built based on BLASTn results and of recent phylogenetic studies [30,41]—Consisted of 42 taxa (including MUT isolates) that represented 9 genera and 20 species (Table 1). A total of 82 sequences (9 nrITS, 13 nrSSU, 13 nrLSU, 13 TEF-1 α , 13 β -TUB, 11 RPB1, and 10 RPB2) were newly generated while 91 were retrieved from GenBank.

The dataset combining nrSSU, nrITS, nrLSU and RPB1 had an aligned length of 2431 characters, of which 1530 were conserved, 263 were parsimony-uninformative and 638 parsimony informative (TL = 2192, CI = 0.550901, RI = 0.758483, RC = 0.417849, HI = 0.449099). The strains under investigation, MUT 1587, MUT 1938, MUT 1950, MUT 1954, MUT 1961, MUT 5040, MUT 5048, MUT 5049 and MUT 5082 formed a strongly supported monophyletic lineage (BYPP = 1.00; MLB = 100%) close but well set apart from *Corollospora marittima* (Figure 1). Within this new group, MUT 1954 and MUT 1961 seemed to form a separated clade, as well as MUT 5040 and MUT 5049. However, the relationships between the taxa were unclear.

The additional dataset, implemented with the addition of TEF-1 α , β -TUB, and RPB2 sequence data relative to the novel lineage and to *Corollospora marittima* only, had an aligned length of 4086 characters, of which 3693 were constant, 236 were parsimony-uninformative and 157 parsimony informative (TL = 452, CI = 0.843537, RI = 0.900217, RC = 0.759367, HI = 0.156463). Two clusters could be observed: the first grouped MUT 1954 and MUT 1961 while the second one was further split into two subclades that separated MUT 1587, MUT 1938, and MUT 5049 from MUT 5040, MUT 5048, and MUT 5082. Finally, MUT 1950, although included second cluster, was not part of any of the two subclades (Figure 2).

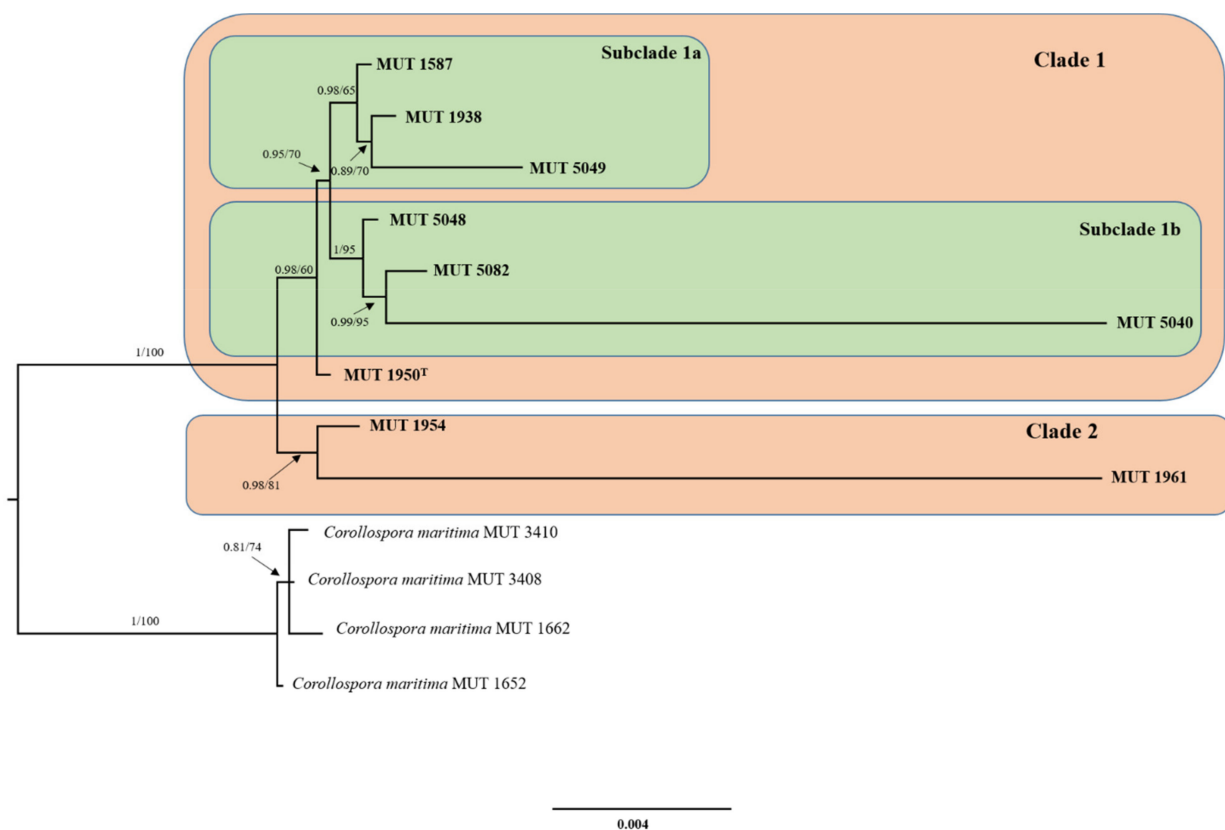


Figure 2. Phylogenetic inference based on a combined nrITS, nrSSU, nrLSU, RPB1, RPB2, TEF-1 α , and β TUB dataset. The tree is midrooted. Branch numbers indicate BYPP and BS values; ^T Type Strain; Bar = expected changes per site (0.004).

3.2. Taxonomy

Corollospora mediterranea sp. nov. A. Poli, E. Bovio, G.C. Varese and V. Prigione, MYCOBANK: MB 839640, Type. Italy, Sicily, Mediterranean Sea, Gela (CL), July 2013, from seawater contaminated by an oil spill, R. Denaro, MUT 1950 holotype, living culture permanently-preserved in metabolically inactive state by deep-freezing at MUT. Additional material examined. Italy, Sicily, Mediterranean Sea, Gela (CL), July 2013, from seawater contaminated by an oil spill, R. Denaro MUT 1938, MUT 1954 and MUT 1961. Italy, Apulia, Mediterranean Sea, Porto Badisco (LE), July 2011, from driftwood, L. Garzoli, MUT 1587. Italy, Tuscany, Mediterranean Sea, Elba Island (LI), from the seagrass *Posidonia oceanica*, March 2010, R. Mussat-Sartor and N. Nurra, MUT 5040, MUT 5048, MUT 5049 and MUT 5082. Etymology. In reference to the Mediterranean Sea. Description. Growing actively on *Pinus pinaster* and *Quercus ruber* cork. *Hyphae* two types observed, one thin (1 μm wide) and hyaline, one thicker (3 μm wide) and melanized. *Chlamydospores* numerous, in chain globose to subglobose, 4–13 \times 4–11 μm diameter (Figure 3). Sexual morph not observed. Asexual morph with differentiated conidiogenesis not observed. Colony description. Colonies on MEASW attaining 38–54 mm diam after 28 days at 21 °C (Figure 4), mycelium white, grey, grey-green, sometimes with pinkish shades; dense and feltrose, occasionally umbonate in the middle, with radial grooves; reverse from light brown to dark green, occasionally with concentric rings, lighter to the edges. Neither soluble pigments nor exudates were observed (Figure 3).

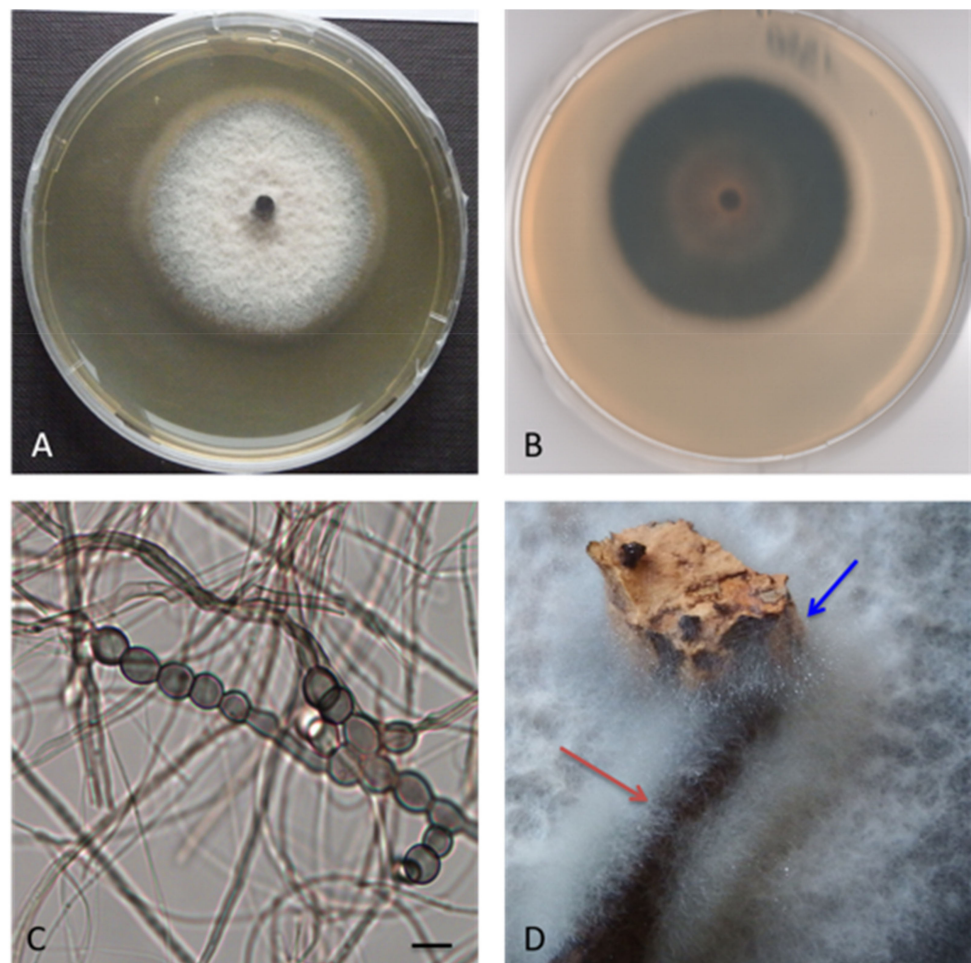


Figure 3. *Corollospora mediterranea* sp. nov. MUT 1950 (holotype), the 28-days-old colony at 21 °C on MEASW (A) and reverse (B); chlamydospores in the chain (C); mycelial growth on *Pinus pinaster* wood (red arrow) and *Quercus ruber* cork (blue arrow) (D). Scale bars: 10 μm .

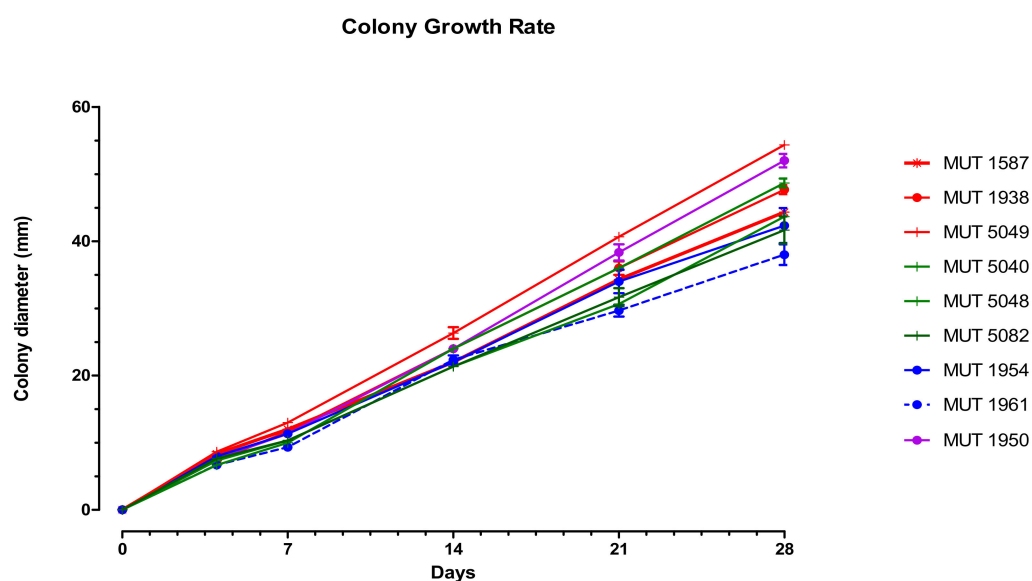


Figure 4. Growth rate on MEASW of the strains investigated over 28 days. The symbol indicates the isolation substrate (asterisk: driftwood; full circle: oil spill; vertical line: leaves of *Posidonia oceanica*); the color indicates the position in the phylogenetic tree (red: Clade 1, Subclade 1a; green: Clade 1, Subclade 1b; purple: Clade 1; blue: Clade 2).

4. Discussion

The description of the strains investigated in this study was particularly tricky and complicated since neither asexual nor sexual reproductive structures developed in axenic conditions. As a consequence, it was not possible to describe the range of diagnostic traits amongst these newly identified lineages.

To better characterize these fungi, we tried to mimic the saline environment by using a culture medium supplemented with seawater, since it is well known that only this method supports a measurable growth of vegetative mycelium [33]. The family Halosphaeriaceae, to whom the genus *Corollospora* belongs, includes the largest number of marine lignicolous species. It was thus realistic to induce sporulation by placing wood and cork specimens on the colony surface prior to transfer them into seawater. Despite wood colonization, sporulation did not occur, whereas chlamydospores were abundantly produced. Likewise, strains of *Corollospora* sp. isolated from intertidal decayed wood of mangrove trees and driftwood in Saudi Arabia did not develop reproductive structures but only chlamydospores that were much bigger and not comparable to those observed in this study [30]. It must be considered that strictly vegetative growth with no sporulation is a common feature of marine fungi [46–48] that are likely to rely on their dispersion to hyphal fragments and/or chlamydospores. Most probably, a necessary requisite for fungi to develop reproductive structures is the occurrence of those environmental conditions these organisms are adapted to (e.g., high salinity, low temperature, high pressure, wet-dry cycles, etc.).

The phylogenetic analysis based on ribosomal genes (nrITS, nrLSU, nrSSU) and RPB1, shows a clear distance between the strains under investigation and the other species of *Corollospora*, *Corollospora maritima* being the closest one. This new and strongly supported clade may include one or more novel species. Hypothetically, the tree highlights the presence of three clusters that include: (i) MUT 1954 and MUT 1961; (ii) MUT 1938, MUT 5040, MUT 5049 and MUT 5082; (iii) MUT 1587, MUT 1950, and MUT 5048 (Figure 1). Bearing in mind the conclusion drawn by Campbell et al. [15] that indicated the need of sequencing more genetic markers to clarify the relations among the species of the genus *Corollospora*, a dataset focused on this new group, together with *C. maritima*, was built with the addition of three more protein-coding genes, namely RPB2, TEF-1 α and β -TUB (Figure 2). From one side, this strongly supported tree points out once more the distance from *C. maritima*, strengthening the idea that we are dealing with a new species. It is

undeniably complicated to define a fungal species, and *Corollospora mediterranea* was here established following the recommendations outlined by Jeewon and Hyde [49], who, dealing with the issue of the species boundaries and identification of new taxa, pointed out a number of key elements to follow. Notably, all the ITS sequences (including 5.8S) analyzed are longer than the minimum 450 base pairs required and display a percentage of identity with the closest relative *C. maritima* < 95%. In addition, as recommended, the strongly supported phylogenetic tree includes the minimum number (4–5) of closely related taxa of the same genus (Figure 1). A thorough inspection of the tree shown in Figure 2 reveals the presence of two clusters: the former (Clade 1) consists of MUT 1950 and two subclusters (MUT 5040, MUT 5048 and MUT 5082; MUT 1587, MUT 1938, MUT 5049), the latter (Clade 2) includes MUT 1954 and MUT 1961. On the other hand, the lack of distinct micro-morphological traits (neither sexual nor asexual morph with differentiated conidiogenesis detected) and the huge variability observed among the colonies (in terms of growth rate, texture, surface and reverse color) lead us to introduce the *C. mediterranea* species complex (CMSC), since we could not discern the species boundaries with certainty (Figures 5 and 6). Indeed, the term “species complex” comes to help taxonomists when: (i) a group of organisms may represent more than one species; (ii) morphological features are overlapping due to extreme variability; (iii) the species may be somehow related although no certain assumption can be assessed. Furthermore, no clear correlation between colony features, growth rates, source of isolation, and/or phylogenetic position was noticed. In general, researchers introduce a species complex when facing a problematic topic. This is the case for example of *Fusarium oxysporum* species complex (FOSC) [50,51], *Fusarium solani* species complex (FSSC) [52], *Wallemia sebi* species complex (WSSC) [53], *Colletotrichum acutatum* species complex (CASC) [54] and many others. Most of these cases were resolved with a revision of the species complex, where individual species were identified based on a multi-loci phylogeny. However, in our study, this approach did not lead to a sharp resolution of the complex. The genome sequencing of all the strains investigated would be an option to sort out this intriguing issue. This approach would possibly reveal those genetic regions that may allow an easy distinction of the species within the complex [55]. On the other hand, the same goal could be achieved by the analysis of secondary metabolites [53]. An investigation of this sort is important also from another point of view: it is now recognized that marine fungi are a reservoir of novel active metabolites that can be harnessed for pharmaceutical, nutraceutical, cosmetic, and environmental purposes.

Kirk and Gordon [10] demonstrated that a number of strains of *C. maritima*, *C. lacera*, and *C. intermedia* were capable of using hexadecane as the sole carbon source, and assumed that the genus *Corollospora* could find utility in petroleum degradation. Supporting this idea is the isolation of 4 strains of *C. mediterranea* (MUT 1938, MUT 1950, MUT 1954, and MUT 1961) from a site chronically contaminated by an oil spill in the Mediterranean Sea [28]. The aforementioned findings indicate the great versatility and adaptability of these fungi to hydrocarbons-contaminated environments, with the consequent possibility of being used as bioremediators. In addition, knowing that the species of *Corollospora* belong to a family of lignicolous fungi and that are rich in cellulase and lignin-degrading enzymes [7], their retrieval from leaves of the seagrass *P. oceanica* (MUT 5040, MUT 5048, MUT 5049, and MUT 5082) and from driftwood (MUT 1587) does not come as a surprise. It is, therefore, reasonable to assume a role of *C. mediterranea* in degrading and recycling organic matter, making them available for other organisms.

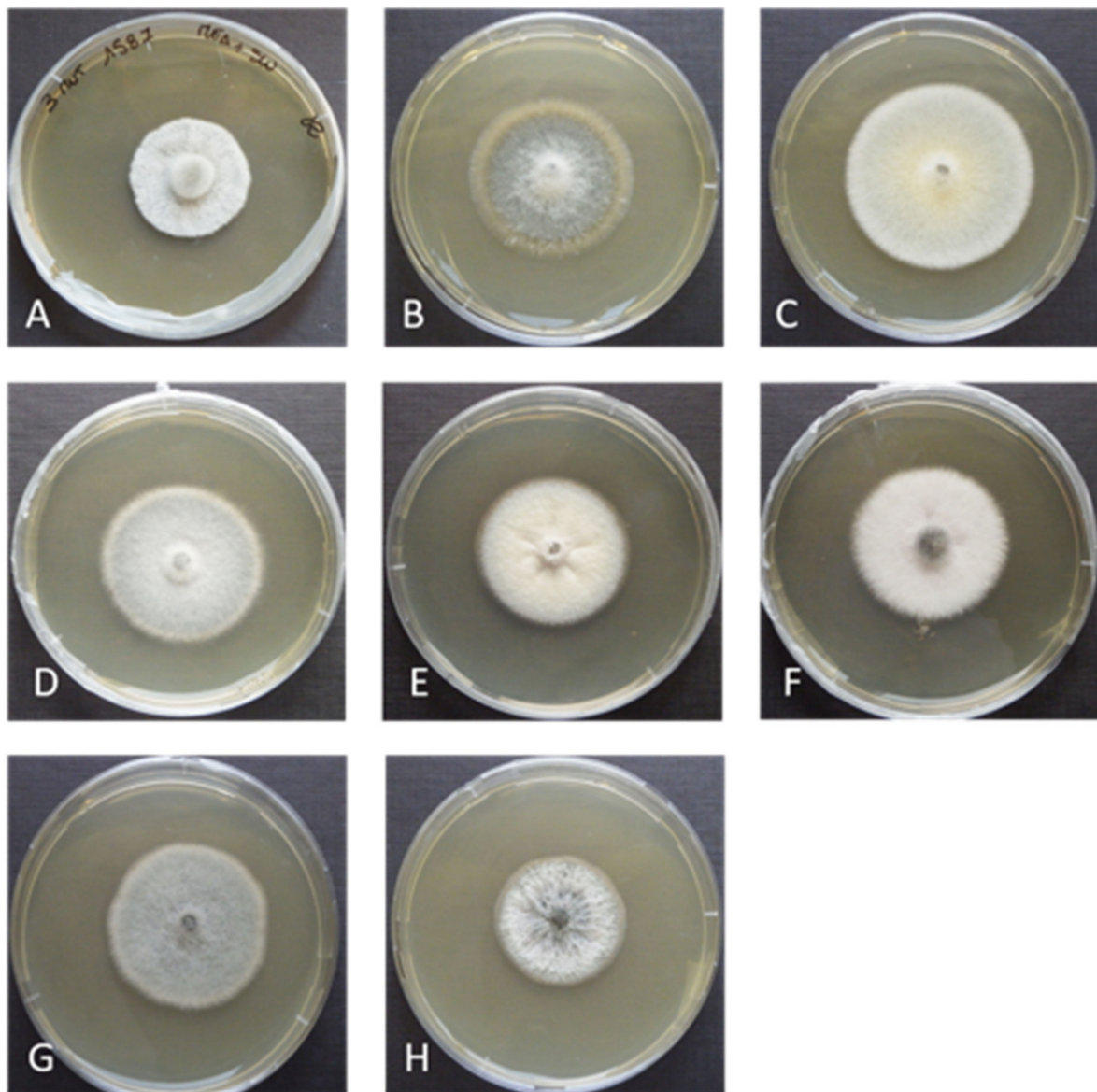


Figure 5. *Corollospora mediterranea* sp. nov. 28-days-old colonies at 21 °C on MEASW: (A) MUT 1587, (B) MUT 1938, (C) MUT 5049 (strains belonging to the Clade 1, Subclade 1a); (D) MUT 5048, (E) MUT 5082, (F) MUT 5040 (strains belonging to the Clade 1, Subclade 1b); (G) MUT 1954, (H) MUT 1961 (strains belonging to the Clade 2).

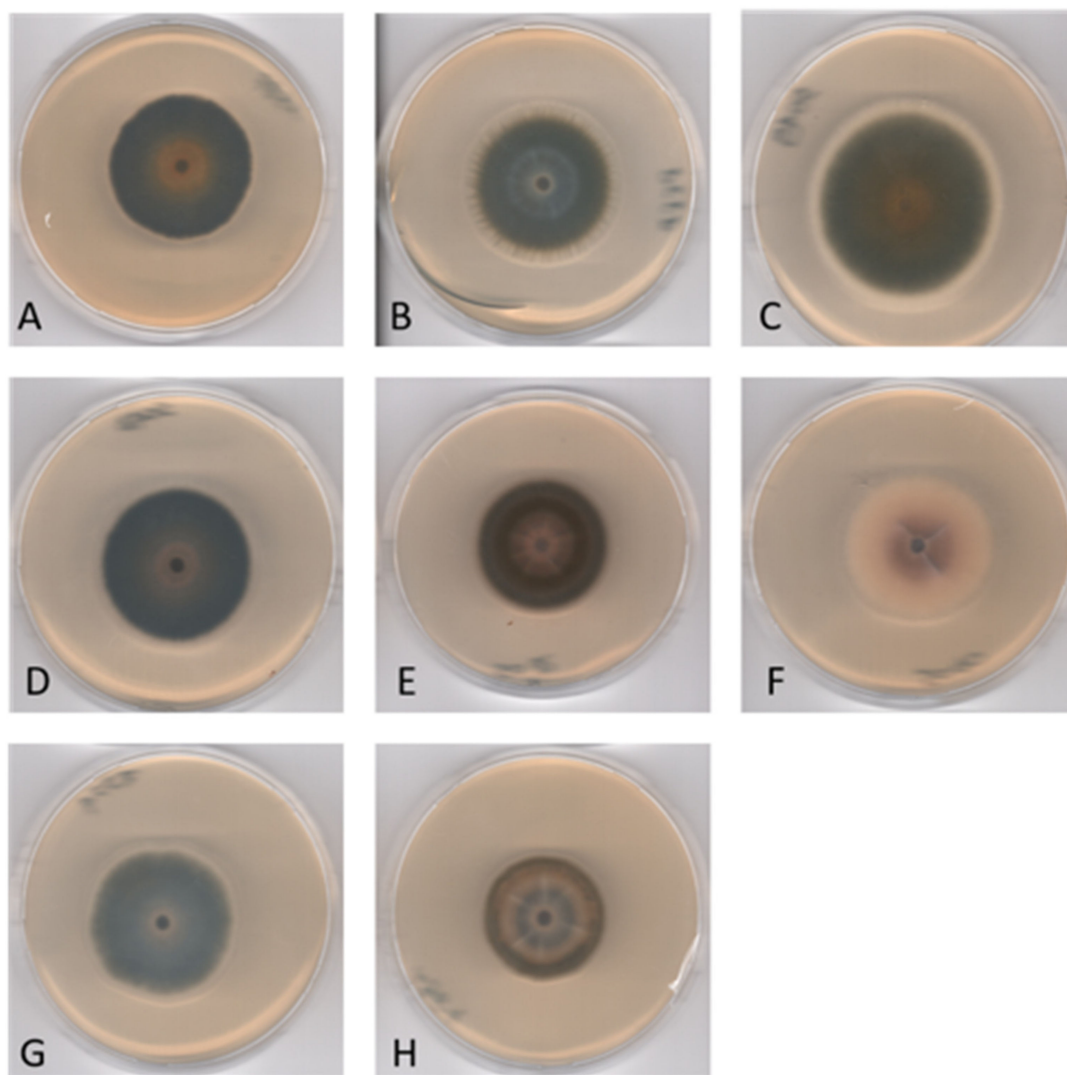


Figure 6. *Corollospora mediterranea* sp. nov. reverse of 28-days-old colonies at 21 °C on MEASW: (A) MUT 1587, (B) MUT 1938, (C) MUT 5049 (strains belonging to the Clade 1, Subclade 1a); (D) MUT 5048, (E) MUT 5082, (F) MUT 5040 (strains belonging to the Clade 1, Subclade 1b); (G) MUT 1954, (H) MUT 1961 (strains belonging to the Clade 2).

5. Conclusions

In conclusion, the retrieval of *C. mediterranea* from different substrates, localities and in different sampling campaigns indicates its constant presence in (at least) the Mediterranean Sea and points out how the marine environments is still largely uninvestigated from a mycological point of view. Therefore, it is more and more glaring that the Oceans are a huge reservoir of unidentified microorganisms with a valuable biotechnological potential not yet disclosed. In the next future, we would aim at resolving the species complex, by applying more approaches to induce sexual and/or asexual sporulation. In parallel, all the strains studied in this work, will be investigated for the production of new and powerful bioactive molecules.

Author Contributions: Conceptualization, A.P., E.B., and V.P.; methodology, A.P., E.B., and V.P.; software, A.P.; validation, A.P., I.P., and V.P.; formal analysis, A.P., E.B., and V.P.; investigation, A.P., E.B., and V.P.; resources, V.P. and G.C.V.; data curation, A.P., I.P., and V.P.; writing—original draft preparation, A.P. and V.P.; writing—review and editing, A.P., V.P., and G.C.V.; visualization, A.P. and V.P.; supervision, V.P. and G.C.V.; project administration, A.P., V.P., and G.C.V.; funding acquisition, G.C.V. All authors have read and agreed to the published version of the manuscript.

Funding: This research was funded by the University of Torino (ex 60%).

Institutional Review Board Statement: Not applicable.

Informed Consent Statement: Not applicable.

Data Availability Statement: Sequence data are available at Genbank (NCBI) under the accession numbers reported in the manuscript.

Acknowledgments: The authors would like to thank JRU MIRRI-IT for technical and scientific support.

Conflicts of Interest: The authors declare no conflict of interest.

References

1. Jones, E.B.G.; Pang, K.-L.; Abdel-Wahab, M.A.; Scholz, B.; Hyde, K.D.; Boekhout, T.; Ebel, R.; Rateb, M.E.; Henderson, L.; Sakayaroj, J.; et al. An online resource for marine fungi. *Fungal Divers.* **2019**, *96*, 347–433. [[CrossRef](#)]
2. Jones, E.G.; Ju, W.-T.; Lu, C.-L.; Guo, S.-Y.; Pang, K.-L. The halosphaeriaceae revisited. *Bot. Mar.* **2017**, *60*, 453–468. [[CrossRef](#)]
3. Abdel-Wahab, M.A.; Nagahama, T.; Abdel-Aziz, F.A. Two new *Corollospora* species and one new anamorph based on morphological and molecular data. *Mycoscience* **2009**, *50*, 147–155. [[CrossRef](#)]
4. Hsieh, S.Y.; Moss, S.T.; Jones, E.B.G. Ascoma development in the marine ascomycete *Corollospora gracilis* (Halosphaeriales, Hypocreomycetidae, Sordariomycetes). *Bot. Mar.* **2007**, *50*, 302–313. [[CrossRef](#)]
5. Walker, A.K.; Robicheau, B.M. Fungal diversity and community structure from coastal and barrier island beaches in the United States Gulf of Mexico. *Sci. Rep.* **2021**, *11*, 3889. [[CrossRef](#)] [[PubMed](#)]
6. Velez, P.; Gasca-Pineda, J.; Nakagiri, A.; Hanlin, R.T.; Gonzalez, M.C. Genetic diversity and population structure of *Corollospora maritima* sensu lato: New insights from population genetics. *Bot. Mar.* **2016**, *59*, 307–320. [[CrossRef](#)]
7. Raghukumar, S. *Fungi in Coastal and Oceanic Marine Ecosystems: Marine Fungi*; Springer: Cham, Switzerland, 2017.
8. Overy, D.P.; Bayman, P.; Kerr, R.G.; Bills, G.F. An assessment of natural product discovery from marine (sensu strictu) and marine-derived fungi. *Mycology* **2014**, *5*, 145–167. [[CrossRef](#)]
9. Overy, D.P.; Rama, T.; Oosterhuis, R.; Walker, A.K.; Pang, K.L. The Neglected Marine Fungi, Sensu stricto, and Their Isolation for Natural Products' Discovery. *Mar. Drugs* **2019**, *17*, 42. [[CrossRef](#)]
10. Kirk, P.W.; Gordon, A.S. Hydrocarbon degradation by filamentous marine higher fungi. *Mycologia* **1988**, *80*, 776–782. [[CrossRef](#)]
11. Liberra, K.; Jansen, R.; Lindequist, U. Corollosporine, a new phthalide derivative from the marine fungus *Corollospora maritima* Werderm. 1069. *Pharmazie* **1998**, *53*, 578–581. [[CrossRef](#)]
12. Furuya, K.; Okudaira, M.; Shindo, T.; Sato, A. *Corollospora pulchella*, a marine fungus producing antibiotics, melinacidins III, IV and gancidin W. *Annu. Rep. Sankyo Res. Lab.* **1985**, *37*, 140–142.
13. Alvi, K.A.; Casey, A.; Nair, B.G. Pulchellalactam: A CD45 protein tyrosine phosphatase inhibitor from the marine fungus *Corollospora pulchella*. *J. Antibiot.* **1998**, *51*, 515–517. [[CrossRef](#)]
14. MacKenzie, S.E.; Gurusamy, G.S.; Piorko, A.; Strongman, D.B.; Hu, T.M.; Wright, J.L.C. Isolation of sterols from the marine fungus *Corollospora lacera*. *Can. J. Microbiol.* **2004**, *50*, 1069–1072. [[CrossRef](#)] [[PubMed](#)]
15. Campbell, J.; Shearer, C.A.; Mitchell, J.I.; Eaton, R.A. *Corollospora* revisited: A molecular approach. In *Fungi in Marine Environment*; Hyde, K.D., Ed.; (Fungal Diversity Research Series); Fungal Diversity Press: Hong Kong, China, 2002; Volume 7, pp. 15–33.
16. Jones, E.G.; Johnson, R.; Moss, S. Taxonomic studies of the Halosphaeriaceae: *Corollospora* Werdermann. *Bot. J. Linn. Soc.* **1983**, *87*, 193–212. [[CrossRef](#)]
17. Lutley, M.; Wilson, I.M. Development and fine structure of ascospores in the marine fungus *Ceriosporopsis halima*. *Trans. Br. Mycol. Soc.* **1972**, *58*, 393–402. [[CrossRef](#)]
18. Lutley, M.; Wilson, I.M. Observations on the fine structure of ascospores of marine fungi: *Halosphaeria appendiculata*, *Torpedospora radiata* and *Corollospora maritima*. *Trans. Br. Mycol. Soc.* **1972**, *59*, 219–227. [[CrossRef](#)]
19. Jones, E.B.G.; Sakayaroj, J.; Suetrong, S.; Somrithipol, S.; Pang, K.L. Classification of marine Ascomycota, anamorphic taxa and Basidiomycota. *Fungal Divers.* **2009**, *35*, 187.
20. Koch, J. Some Lignicolous Marine Fungi From Thailand, including 2 New Species. *Nord. J. Bot.* **1986**, *6*, 497–499. [[CrossRef](#)]
21. Kohlmeyer, J.; Volkmannkohlmeyer, B. *Corollospora armoricana* sp. nov. An Arenicolous Ascomycete from Brittany (France). *Can. J. Bot. Rev. Can. Bot.* **1989**, *67*, 1281–1284. [[CrossRef](#)]
22. McKeown, T.A.; Moss, S.T.; Jones, E.B.G. Ultrastructure of the melanized ascospores of *Corollospora fusca*. *Can. J. Bot. Rev. Can. Bot.* **1996**, *74*, 60–66. [[CrossRef](#)]
23. Jones, E.B.G. Fifty years of marine mycology. *Fungal Divers.* **2011**, *50*, 73–112. [[CrossRef](#)]
24. Sundari, R.; Vikineswary, S.; Yusoff, M.; Jones, E.B.G. *Corollospora besarispora*, a new arenicolous marine fungus from Malaysia. *Mycol. Res.* **1996**, *100*, 1259–1262. [[CrossRef](#)]
25. Schoch, C.L.; Crous, P.W.; Groenewald, J.Z.; Boehm, E.W.A.; Burgess, T.I.; de Gruyter, J.; de Hoog, G.S.; Dixon, L.J.; Grube, M.; Gueidan, C.; et al. A class-wide phylogenetic assessment of Dothideomycetes. *Stud. Mycol.* **2009**, *64*, 1–15. [[CrossRef](#)]

26. Schoch, C.L.; Seifert, K.A.; Huhndorf, S.; Robert, V.; Spouge, J.L.; Levesque, C.A.; Chen, W.; Bolchacova, E.; Voigt, K.; Crous, P.W.; et al. Nuclear ribosomal internal transcribed spacer (ITS) region as a universal DNA barcode marker for Fungi. *Proc. Natl. Acad. Sci. USA* **2012**, *109*, 6241–6246. [[CrossRef](#)] [[PubMed](#)]
27. Panno, L.; Bruno, M.; Voyron, S.; Anastasi, A.; Gnavi, G.; Miserere, L.; Varese, G.C. Diversity, ecological role and potential biotechnological applications of marine fungi associated to the seagrass *Posidonia oceanica*. *New Biotechnol.* **2013**, *30*, 685–694. [[CrossRef](#)] [[PubMed](#)]
28. Bovio, E.; Gnavi, G.; Prigione, V.; Spina, F.; Denaro, R.; Yakimov, M.; Calogero, R.; Crisafi, F.; Varese, G.C. The culturable mycobiota of a Mediterranean marine site after an oil spill: Isolation, identification and potential application in bioremediation. *Sci. Total Environ.* **2017**, *576*, 310–318. [[CrossRef](#)] [[PubMed](#)]
29. Garzoli, L.; Gnavi, G.; Tamma, F.; Tosi, S.; Varese, G.C.; Picco, A.M. Sink or swim: Updated knowledge on marine fungi associated with wood substrates in the Mediterranean Sea and hints about their potential to remediate hydrocarbons. *Prog. Oceanogr.* **2015**, *137*, 140–148. [[CrossRef](#)]
30. Abdel-Wahab, M.A.; Hodhod, M.S.; Bahkali, A.H.A.; Jones, E.B.G. Marine fungi of Saudi Arabia. *Bot. Mar.* **2014**, *57*, 323–335. [[CrossRef](#)]
31. Dayarathne, M.C.; Wanasinghe, D.N.; Devadatha, B.; Abeywickrama, P.; Jones, E.B.G.; Chomnunti, P.; Sarma, V.V.; Hyde, K.D.; Lumyong, S.; McKenzie, E.H.C. Modern taxonomic approaches to identifying diatrypaceous fungi from marine habitats, with a novel genus *Halocryptovalsa* Dayarathne & KDHyde, gen. nov. *Cryptogam. Mycol.* **2020**, *41*, 21–67. [[CrossRef](#)]
32. Jones, E.G.; Pang, K.-L. (Eds.) *Marine Fungi and Fungal-Like Organisms*; Walter de Gruyter: Berlin, Germany, 2012.
33. Poli, A.; Bovio, E.; Ranieri, L.; Varese, G.C.; Prigione, V. News from the Sea: A New Genus and Seven New Species in the Pleosporalean Families Roussoellaceae and Thyridariaceae. *Diversity* **2020**, *12*, 144. [[CrossRef](#)]
34. Panebianco, C.; Tam, W.Y.; Jones, E.B.G. The effect of pre-inoculation of balsa wood by selected marine fungi and their effect on subsequent colonisation in the sea. *Fungal Divers.* **2002**, *10*, 77–88.
35. White, T.J.; Bruns, T.; Lee, S.; Taylor, J. Amplification and direct sequencing of fungal ribosomal RNA genes for phylogenetics. *PCR Protoc. Guide Methods Appl.* **1990**, *18*, 315–322.
36. Vilgalys, R.; Hester, M. Rapid genetic identification and mapping of enzymatically amplified ribosomal DNA from several *Cryptococcus* species. *J. Bacteriol.* **1990**, *172*, 4238–4246. [[CrossRef](#)] [[PubMed](#)]
37. Matheny, P.B.; Wang, Z.; Binder, M.; Curtis, J.M.; Lim, Y.W.; Nilsson, R.H.; Hughes, K.W.; Hofstetter, V.; Ammirati, J.F.; Schoch, C.L.; et al. Contributions of *rpb2* and *tef1* to the phylogeny of mushrooms and allies (Basidiomycota, Fungi). *Mol. Phylogenetics Evol.* **2007**, *43*, 430–451. [[CrossRef](#)]
38. Glass, N.L.; Donaldson, G.C. Development of primer sets designed for use with the PCR to amplify conserved genes from filamentous ascomycetes. *Appl. Environ. Microbiol.* **1995**, *61*, 1323–1330. [[CrossRef](#)]
39. Raja, H.A.; Baker, T.R.; Little, J.G.; Oberlies, N.H. DNA barcoding for identification of consumer-relevant mushrooms: A partial solution for product certification? *Food Chem.* **2017**, *214*, 383–392. [[CrossRef](#)]
40. Liu, Y.J.; Whelen, S.; Hall, B.D. Phylogenetic relationships among ascomycetes: Evidence from an RNA polymerase II subunit. *Mol. Biol. Evol.* **1999**, *16*, 1799–1808. [[CrossRef](#)]
41. Sakayaroj, J.; Pang, K.L.; Jones, E.B.G. Multi-gene phylogeny of the Halosphaeriaceae: Its ordinal status, relationships between genera and morphological character evolution. *Fungal Divers.* **2011**, *46*, 87–109. [[CrossRef](#)]
42. Vaidya, G.; Lohman, D.J.; Meier, R. SequenceMatrix: Concatenation software for the fast assembly of multi-gene datasets with character set and codon information. *Cladistics* **2011**, *27*, 171–180. [[CrossRef](#)]
43. Darriba, D.; Taboada, G.L.; Doallo, R.; Posada, D. jModelTest 2: More models, new heuristics and parallel computing. *Nat. Methods* **2012**, *9*, 772. [[CrossRef](#)] [[PubMed](#)]
44. Stamatakis, A. RAxML version 8: A tool for phylogenetic analysis and post-analysis of large phylogenies. *Bioinformatics* **2014**, *30*, 1312–1313. [[CrossRef](#)]
45. Ronquist, F.; Teslenko, M.; van der Mark, P.; Ayres, D.L.; Darling, A.; Höhna, S.; Larget, B.; Liu, L.; Suchard, M.A.; Huelsenbeck, J.P. MrBayes 3.2: Efficient Bayesian Phylogenetic Inference and Model Choice Across a Large Model Space. *Syst. Biol.* **2012**, *61*, 539–542. [[CrossRef](#)]
46. Gnavi, G.; Garzoli, L.; Poli, A.; Prigione, V.; Burgaud, G.; Varese, G.C. The culturable mycobiota of *Flabellia petiolata*: First survey of marine fungi associated to a Mediterranean green alga. *PLoS ONE* **2017**, *12*. [[CrossRef](#)] [[PubMed](#)]
47. Garzoli, L.; Poli, A.; Prigione, V.; Gnavi, G.; Varese, G.C. Peacock’s tail with a fungal cocktail: First assessment of the mycobiota associated with the brown alga *Padina pavonica*. *Fungal Ecol.* **2018**, *35*, 87–97. [[CrossRef](#)]
48. Poli, A.; Vizzini, A.; Prigione, V.; Varese, G.C. Basidiomycota isolated from the Mediterranean Sea—Phylogeny and putative ecological roles. *Fungal Ecol.* **2018**, *36*, 51–62. [[CrossRef](#)]
49. Jeewon, R.; Hyde, K.D. Establishing species boundaries and new taxa among fungi: Recommendations to resolve taxonomic ambiguities. *Mycosphere* **2016**, *7*, 1669–1677. [[CrossRef](#)]
50. Kistler, H.C. Genetic diversity in the plant-pathogenic fungus *Fusarium oxysporum*. *Phytopathology* **1997**, *87*, 474–479. [[CrossRef](#)]
51. O’Donnell, K.; Cigelnik, E. Two divergent intragenomic rDNA ITS2 types within a monophyletic lineage of the fungus *Fusarium* are nonorthologous. *Mol. Phylogenetics Evol.* **1997**, *7*, 103–116. [[CrossRef](#)]
52. O’Donnell, K. Molecular phylogeny of the *Nectria haematococca*-*Fusarium solani* species complex. *Mycologia* **2000**, *92*, 919–938. [[CrossRef](#)]

-
53. Jancic, S.; Nguyen, H.D.T.; Frisvad, J.C.; Zalar, P.; Schroers, H.J.; Seifert, K.A.; Gunde-Cimerman, N. Taxonomic Revision of the *Wallemia sebi* Species Complex. *PLoS ONE* **2015**, *10*, e0125933. [[CrossRef](#)]
 54. Damm, U.; Cannon, P.F.; Woudenberg, J.H.C.; Crous, P.W. The *Colletotrichum acutatum* species complex. *Stud. Mycol.* **2012**, *73*, 37–113. [[CrossRef](#)] [[PubMed](#)]
 55. Matute, D.R.; Sepulveda, V.E. Fungal species boundaries in the genomics era. *Fungal Genet. Biol.* **2019**, *131*, 9. [[CrossRef](#)] [[PubMed](#)]